

PopKit

For swing gates with leaves up to 2m, also with large posts and lightweight structures.

Gear motor characteristics:

- **sophisticated electronics:** slowdown, obstacle detection system, can be linked to the 8K2 resistive sensitive edge
- **user-friendly:** release with personalised key designed
- **sturdy, aluminium, anti-shearing arm**
- **always ready for use:** continues to work even during power failures using optional (PS124) batteries that fit inside the motor

- **exclusive functions:** photo-test, pedestrian gate, programmable input for functions such as open, close, photo2, open pedestrian and open partially
- **extra-small, shockproof body with aluminium base**

The kit contains:

PP7024 + PP7224

2 surface-mounted electromechanical gear motors, PP7024 (with built-in control unit), PP7224 (without control unit)



FLO2R-S

1 transmitter
433.92MHz,
2 channels

MOF

1 pair of photocells
for outdoor installation

MOSE

1 key selector switch
for outdoor installation

LUCY24

1 flashing light
ABFKIT
1 directional professional
aerial

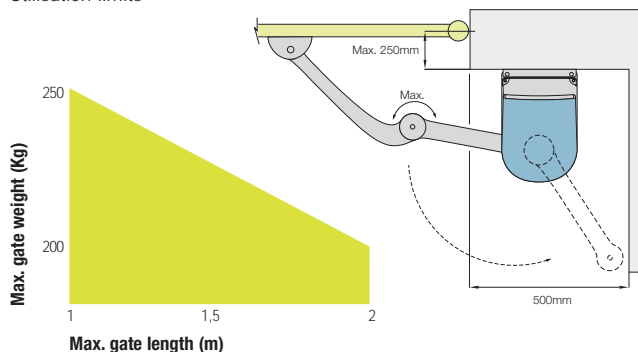
N.B. The content of the package may vary: consult the retailer.

Code	Description	Pack/pallet
POPKCE	Kit for swing gates with leaves up to 2m, surface mounted.	12

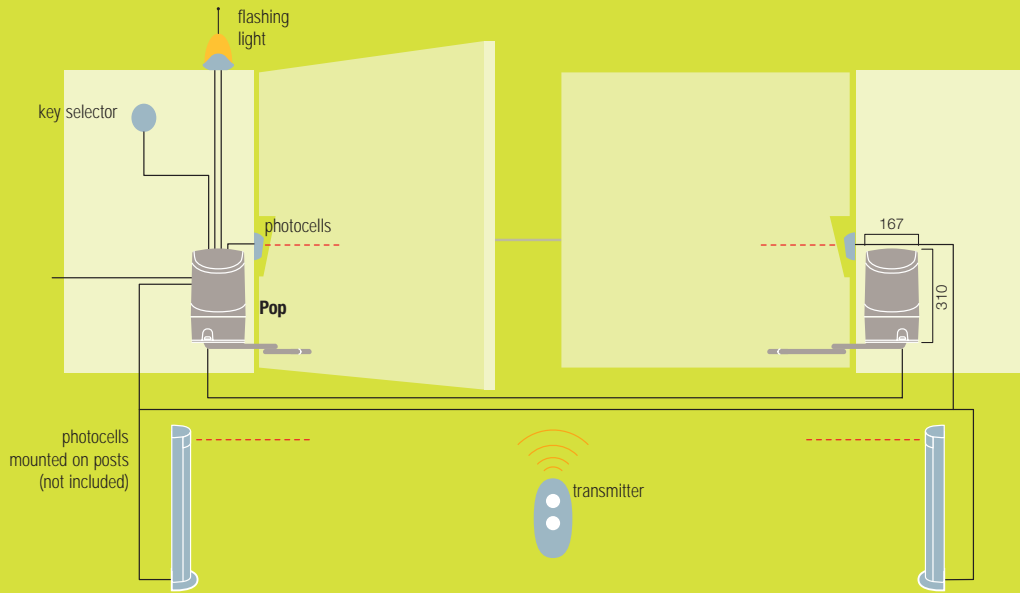
Technical specifications		PP7024	PP7224
Power	(Vac 50Hz)	230	-
	(Vdc)	-	24
Current absorbed	(line) (A)	~1	3
Power absorbed	(W)		75
Protection level	(IP)		44
Torque	(Nm)		180
Speed	(Rpm)		1.26-1.68
Opening time	(s)		10
Working temp.	(°C Min/Max)		-20 ÷ +50
Insulation class	(%)	1	B*
Work cycle	(%)		30
PopKit weight	(Kg)		21.6

* version without control unit

Utilisation limits



The shape, the height of the gate and the weather conditions can considerably reduce the values shown in the graph to the side.



Approximate draft

Accessories



KIO
key selector switch with release mechanism for metal cord

Pc/pack 1



KA1
6m cable release kit for KIO

Pc/pack 1



PS124
24V battery with built-in battery charger

Pc/pack 1



PLA10
vertical 12V electric lock (required for gates longer than 3m)

Pc/pack 1



PLA11
horizontal 12V electric lock (required for gates longer than 3m)

Pc/pack 1



POA1
spare control unit for PP7024



TS
signboard

Pc/pack 1



Nice recommends customers order products in pallets in order to facilitate storage and delivery, and ensure packs are uniform. The number of packs per single pallet has been specified for this reason.